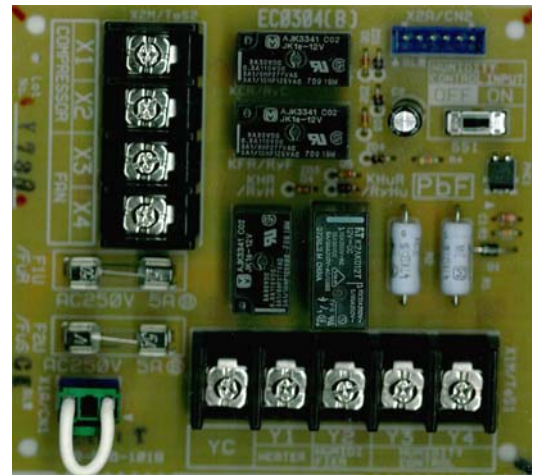


Job Name:	Adapter: <input type="checkbox"/> KRP1C74 <input type="checkbox"/> KRP1C75
Purchaser:	Installation Kit: <input type="checkbox"/> KRP1C93 <input type="checkbox"/> KRP1B(A)101 <input type="checkbox"/> KRP1B98
Engineer:	Location: <input type="checkbox"/> KRP4A96 <input type="checkbox"/> KRP1H98
Submitted To:	For: <input type="checkbox"/> Reference <input type="checkbox"/> Approval <input type="checkbox"/> Construction
Submitted By:	Date:
Unit Designation: Schedule #:	Model No.:

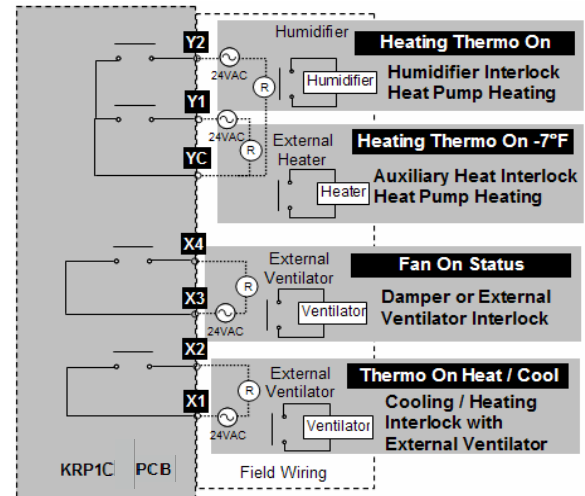
### FEATURES / BENEFITS

- Applied to individual VRV indoor units to facilitate local interlock of external devices including ventilators, isolation dampers and auxiliary heating apparatus.
- Normally open dry contacts provide signaling at **HEATING THERMO ON<sup>1</sup>**. Common integration point for humidifier.
- Normally open dry contacts provide signaling at **7°F below HEATING SETPOINT** as a backup interlock device in case of a **95 HB; H-9FAC CB** control only available during heat pump lockout mode.
- Normally open dry contacts close at **HEATING THERMO ON<sup>1</sup>** or **COOLING THERMO ON<sup>1</sup>**. Common integration point for external ventilators
- Normally open dry contacts close during indoor unit fan operation. Common integration point for make up air fans or isolation dampers.



KRP1C Model Application	
FXSQ, FXMQ, FXHQ, FXNQ, FXLQ, FHQ, FBQ	KRP1C74 (15.7" Harness)
FXDQ, FXFQ, FXZQ, FXTQ, FCQ, FTQ	KRP1C75 (78.7" Harness)
FXAQ, FAQ, FTXS	Not Available
Installation Kit Requirements	
FXFQ_M, SkyAir FCQ_M	KRP1B98 Installation Box
FXFQ_P, SkyAir FCQ_P	KRP1H98 Installation Box
FXHQ, SkyAir FHQ	KRP1C93 Mounting Plate
FXZQ, FXDQ, FXTQ, SkyAir FTQ	KRP1B(A)101 Installation Box
FXMQ_P, SkyAir FBQ	KRP4A96 Mounting Plate

### Wiring Schematic



Power Requirements	
PCB Power Supply	Provided by host indoor unit
Control Circuit Power Supply	External – Provided by others
Contact Specifications	
YC-Y1 Allowable Current	0.1 – 1A at 24VAC
YC-Y2 Allowable Current	0.1 – 1A at 24VAC
X1-X2 Allowable Current	0.1 – 1A at 24VAC
X3-X4 Allowable Current	0.1 – 1A at 24VAC

PCB Connections	
YC-Y1	Normally open contact closes at Heating Thermo ON -7°F
YC-Y2	Normally open contact closes at Heating Thermo ON
Y3-Y4	NOT USED
X1-X2	Normally open contact closes at Heating / Cooling Thermo ON
X3-X4	Normally open contact closes during indoor unit fan operation
X2A/CN2	To X16A(M series), X33A(P series) on indoor unit PCB with supplied wiring harness

### Application Notes

1. Only low voltage pilot circuits should be switched through the KRP1C series wiring adapter.
2. For control of auxiliary heating apparatus from YC-Y1, it is necessary to engage heat pump lockout. Please consult Daikin AC for this application.
3. X1-X2 can be optionally configured as Operation ON/OFF or Alarm ON/OFF through indoor unit field settings.
4. FXTQ, FTQ doesn't require KRP1C for backup heater control and AUX heater control. There is a factory installed I/O board for the heater and the AUX heater setpoint can be configured whereas it is fixed differential from the heating setpoint in the other indoor unit type. Refer to Sales Bulletin VRV031A-FXTQ\_PA Vertical Air Handling Unit for details.

1. **THERMO ON** – Indicates that a call for heating or cooling capacity is in effect by the host VRV indoor unit.