

Project Name: \_\_\_\_\_

Location: \_\_\_\_\_

Engineer: \_\_\_\_\_

Submitted to: \_\_\_\_\_

Submitted by: \_\_\_\_\_

Reference: \_\_\_\_\_

Approval: \_\_\_\_\_

Date: \_\_\_\_\_

Construction: \_\_\_\_\_

Unit #: \_\_\_\_\_

Drawing #: \_\_\_\_\_

For use with the following VRV Models: FXAQ, FXDQ, FXFQ, FXHQ, FXLQ, FXMQ, FXMQ\_MF, FXNQ, FXOQ, FXSQ, FXTQ, FXZQ  
For use with the following Daikin SkyAir Models: FAQ, FCQ, FHQ, FTQ

**Capacity:**

Model No.	intelligent Touch Manager DCM601A71	iTM Plus Adapter (option) DCM601A72
Maximum Indoor Unit Groups:	64	64
Max Indoor Units:	128	128
Max Outdoor Units:	10	10
*Systems Total:	512 Indoor Unit Groups (1024 Indoor Units)	

**Operating Details:**

Power Supply (Externally supplied):	24 VAC, 60 Hz	24 VAC, 60 Hz
Power Consumption:	23 Watts	23 Watts
Operating Temp Range:	32-104°F	14 - 122°F
Operating Humidity Range:	85% or less (w/o condensation)	85% or less (w/o condensation)
Dimensions (WxHxD):	11.42 x 9.57 x 1.97 in.	6.30 x 5.87 x 2.41 in.
Weight (Mass):	5.3 lbs. (2.4 kg)	1.1 lbs. (0.5 kg)
Certifications:	FCC Part 15 Class B	

**Communication:**

DIII-NET Systems:	1	1
RJ-45 (Ethernet) 100Base-TX or 10Base-T	2	N/A
USB Port USB2.0 (2GB to 32GB)	1	N/A
RS485 (19 - 22 AWG)	1	1

**Input Terminals:**

Digital Input forced shutdown of all indoor unit systems	1	N/A
Digital Input and/or Pulse Input Terminals:	3 x 10 mA @ 16 VDC/ 3 x 1 pulse at 1 or 10 kWh at 100 ms interval	4 x 10 mA @ 16 VDC/ 4 x 1 pulse at 1 or 10 kWh at 100 ms interval

Configuration and engineering for each project is necessary

The Power Proportional Distribution (PPD) feature supplies the user with a reasonably calculated apportionment of the total power consumption by the Daikin air-conditioning system to individual units on the system. Because input to the PPD includes measured pulses in the refrigerant system and because the air-conditioning system includes a number of variables, to include operating temperatures and pressures, piping lengths, heat exchange rates and others, no meter-type apportionment of individual user's consumption can be made. However, the PPD feature provides an apportionment methodology that uses highly advanced technology as applied to the many variables in the air-conditioning system.

\*Note: See Management Size on page two for System Total explanation

**Daikin AC (Americas), Inc., 1645 Wallace Drive, Suite 110, Carrollton, TX 75006**

**Daikin AC Controls Engineering Department Generated Submittal Data**

[www.daikinac.com](http://www.daikinac.com)

(Daikin's products are subject to continuous improvements. Daikin reserves the right to modify product design, specifications and information in this data sheet without notice and without incurring any obligations)



**Standard Features:**

- Web/Email Software
- One year warranty

**Software Options:**

- Power Proportional Distribution (PPD) Software (DCM002A71)
- Energy Navigator Software (DCM008A71)

**Hardware Options:**

- iTM DIII-NET Plus Adapter(DCM601A72) for expanding indoor unit groups up to 512 groups (1024 indoor units)
- WAGO I/O unit for controlling/ monitoring of external equipment via Di, Do, or Ai
- Digital Input (DEC101A51-US2) for monitoring external equipment
- Digital Input/Output (DEC102A51-US2) for controlling / monitoring of external equipment
- iTM Integrator (DCM601A73) for controlling/monitoring up to 5 iTMs

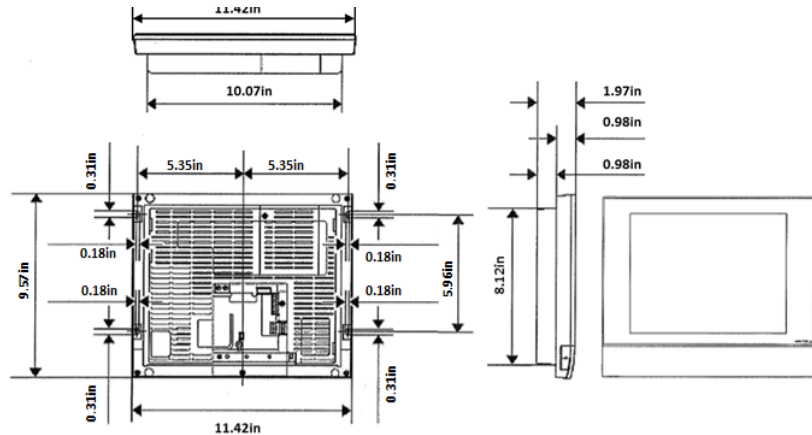
Project Name: \_\_\_\_\_  
 Location: \_\_\_\_\_  
 Engineer: \_\_\_\_\_  
 Submitted to: \_\_\_\_\_  
 Submitted by: \_\_\_\_\_  
 Reference: \_\_\_\_\_

Approval: \_\_\_\_\_  
 Date: \_\_\_\_\_  
 Construction: \_\_\_\_\_  
 Unit #: \_\_\_\_\_  
 Drawing #: \_\_\_\_\_

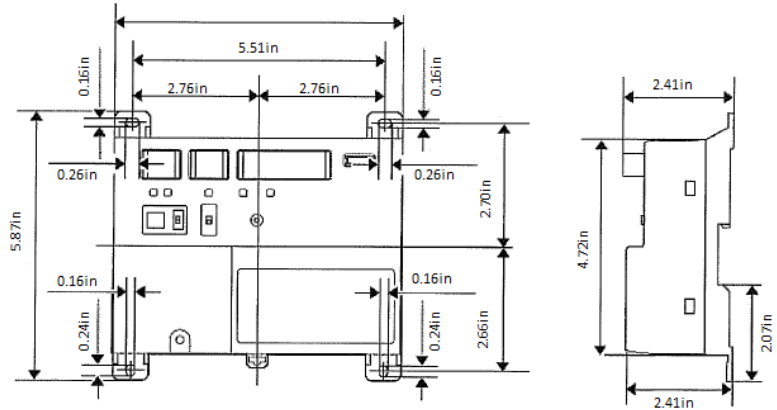
**Features / Benefits:**

- **Management size** - up to 512 indoor unit groups (1024 indoor units)
  - The iTM can manage one (1) DIII-Net system which can have up to 64 indoor unit groups (128 indoor units).
  - The iTM can manage up to eight (8) DIII-Net systems with the addition of the iTM Plus Adapter which can manage one (1) DIII-Net system each. This means up to seven (7) iTM adapters can be daisy chained to the iTM.
- **Web Accessibility**
  - Web and Alert Email function standard with iTM
  - Web browser shows the same screen as iTM touch screen
  - All iTM configuration/setup can be done through Web Option or touch screen
- **Visual Navigation Screen**
  - Floor plan layout view is available
- **Easy installation**
  - Wall mount and flush mount installation
  - Automatic indoor unit registration and indoor unit model detection
  - 24 VAC 60 Hz
- **Easy Engineering**
  - iTM can be configured off site via Pre-setting Tool
  - All data can be uploaded and downloaded by USB flash drive
- **History**
  - All operations, automatic controls and status changes are stored in history (up to 1,000,000 items)
  - D-Net compatible
- **Energy management (Optional)**
  - Visualization of energy consumption data
  - Pinpoint areas where energy is wasted
- **Power Proportional Distribution (PPD) (Optional)**
  - Tenant billing
- **Building facilities management**
  - Building facilities are connected by using WAGO I/O system (optional)
  - I/O configuration for Digital Input, Digital Output, and Analog Input
  - The iTM is equipped with 3 digital/pulse inputs and the iTM Plus Adapter comes equipped with 4 digital/pulse inputs

**Intelligent Touch Manager (iTM)  
DCM601A71**



**iTM DIII-NET Plus Adapter  
DCM601A72**



Specifications of Communication Cabling (DIII-NET)	
Type	2-conductor, stranded, non-shielded copper cable / PVC of vinyl jacket
Size	AWG 18-2
Total Length	Maximum wiring distance between units 3,280 ft. Total wire length 6,550 ft.

Daikin AC (Americas), Inc., 1645 Wallace Drive, Suite 110, Carrollton, TX 75006