

Job Name:	Location:
Purchaser:	
Engineer:	
Submitted To:	For: <input type="checkbox"/> Reference <input type="checkbox"/> Approval <input type="checkbox"/> Construction
Submitted By:	Date:
Unit Designation: Schedule #:	Model No.:

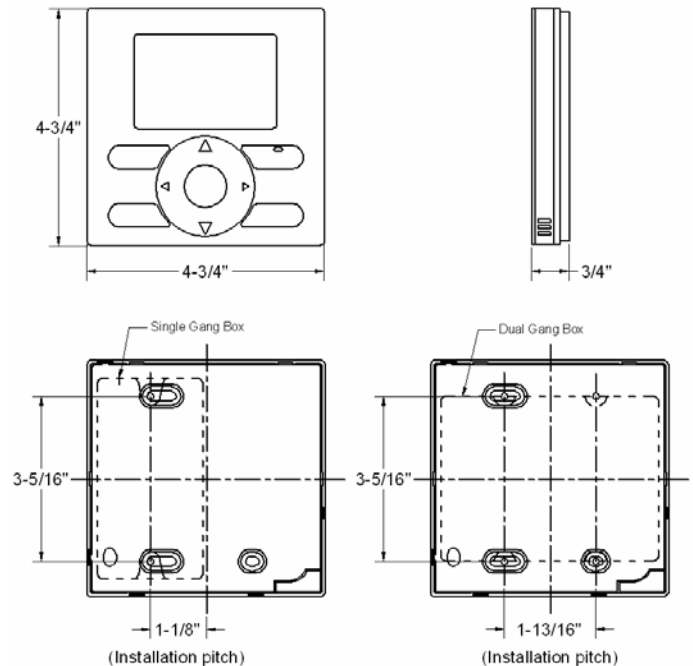
For use with the following VRV Models: FXAQ, FXDQ, FXFQ, FXHQ, FXLQ, FXMQ, FXMQ\_MF, FXNQ, FXOQ, FXSQ, FXTQ, FXZQ  
 For use with the following Daikin SkyAir Models: FAQ, FCQ, FHQ



FEATURES / BENEFITS
<ul style="list-style-type: none"> <li>Up to 16 indoor units are controllable in one group</li> <li>Backlit LCD display in English, French, or Spanish</li> <li>Display of room and setpoint temperatures per 1°F/C</li> <li>Independent cool/heat setpoints with setpoint range limits</li> <li>Unoccupied mode with independent cool/heat setback setpoints</li> <li>Auto-changeover mode can automatically select cool/heat mode at setpoint + -1° F (for heat pump and heat recovery systems)</li> <li>Built in 7, 5+2, 5+1+1 Weekly Schedule Timer with up to 5 actions per day with independent cool/heat or setback setpoints</li> <li>Temperature sensor in the lower right of remote controller for more comfortable room temperature control</li> <li>Constantly monitors the system for malfunctions with immediate display of fault location and condition</li> <li>48 hour clock/calendar backup</li> <li>Backwards compatible with current DIII-net for retrofit applications</li> <li>Can be combined with a secondary controller for dual operation</li> </ul>



<b>OPERATION</b>	On/Off
	Operation Mode (Cool/Dry/Heat/Auto/Fan)
	Fan Speed
	Airflow Direction
	Setpoints (60–90°F, 16-32°C)
	Setback Setpoints (40-95°F, 5-35°C)
	Auto-changeover (Heat Pump, Heat Recovery)
	Individual Permit/Prohibit Buttons
<b>MONITORING</b>	Operation (On/Off) Status
	Operation Mode
	Fan Speed
	Airflow Direction
	Setpoints & Setback Setpoints
	Room Temperature
	Malfunction Flashing
	Error Code
<b>CONTROL MANAGEMENT</b>	Filter Status
	Field Setting Mode
	Group Setting
	Setpoint Range Limit
<b>SCHEDULING</b>	Auto Re-Start
	7-Day, 12/24Hr Time Clock
	7, 5+2, 5+1+1 Weekly Schedule Pattern 5-Actions Per Day with Independent Setpoints



SPECIFICATIONS OF CABLE	
<b>TYPE</b>	2-conductor, stranded, non-shielded copper cable / PVC or vinyl jacket
<b>SIZE</b>	AWG18-2
<b>TOTAL LENGTH</b>	1640 ft