

Project Name: \_\_\_\_\_

Location: \_\_\_\_\_

Engineer: \_\_\_\_\_

Submitted to: \_\_\_\_\_

Submitted by: \_\_\_\_\_

Reference: \_\_\_\_\_

Approval: \_\_\_\_\_

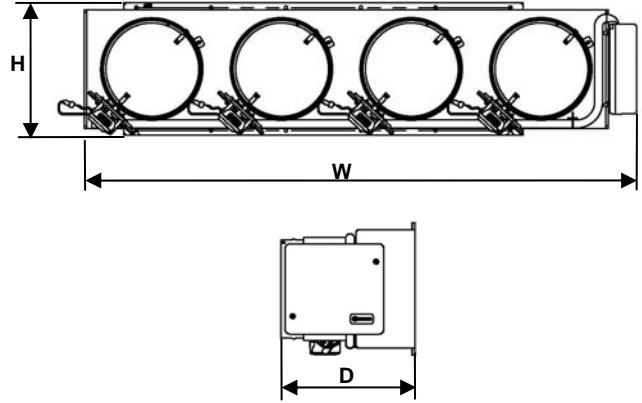
Date: \_\_\_\_\_

Construction: \_\_\_\_\_

Unit #: \_\_\_\_\_

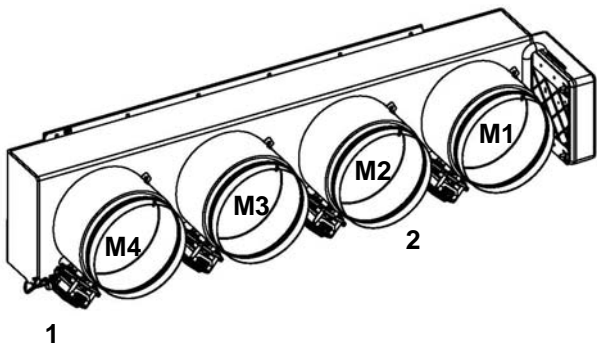
Drawing #: \_\_\_\_\_

Model	DZK048E4
Description	Zoning Box
Compatible Indoor Units	FBQ36PVJU; FBQ42PVJU FXMQ36PVJU; FXMQ48PVJU
Damper Control	Flow Control System by Airzone
Damper Sizes	8"
Number of Dampers	4
Insulation Value	R4
Weight (Mass)	20.24lb (9.2 kg)
Size	W: 53.46" (1358 mm) H: 10.43" (265 mm) D: 10.43" (265 mm)



**Features / Benefits:**

- Allows multiple individually controlled zones with one Daikin Indoor Unit fan coil.
- Individual design for each Daikin unit model.
- Reduced size and weight.
- Fast and simple assembly.
- Manual setting of maximum and minimum flow rate for each damper.



Ref	Function
1	Actuator
2	Damper
3	Main Control Board
M1 ... M4	Dampers number from 1 to 4

Note: Dampers are numbered starting with number 1 next to the Main Control Board.



Project Name: \_\_\_\_\_

Location: \_\_\_\_\_

Engineer: \_\_\_\_\_

Submitted to: \_\_\_\_\_

Submitted by: \_\_\_\_\_

Reference: \_\_\_\_\_

Approval: \_\_\_\_\_

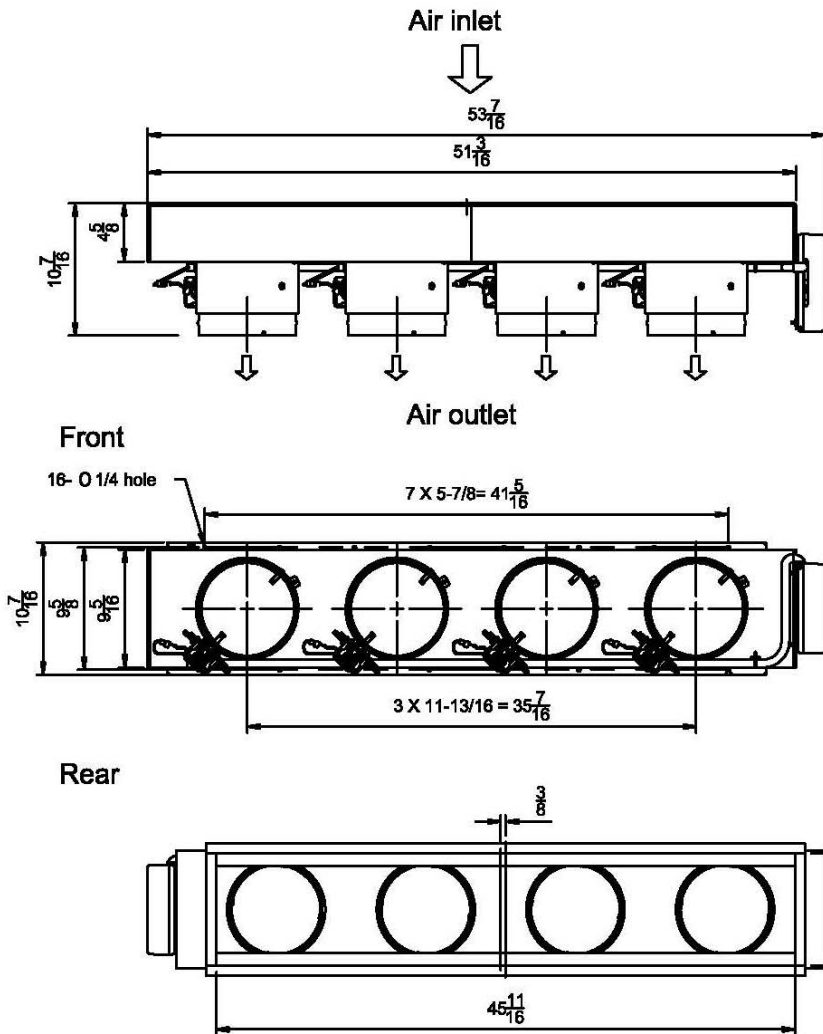
Date: \_\_\_\_\_

Construction: \_\_\_\_\_

Unit #: \_\_\_\_\_

Drawing #: \_\_\_\_\_

**Dimensional Drawing: (Units inch)**



**DZK048E4  
Unit (in.)**

COMPATIBLE INDOOR UNITS		
SkyAir	FBQ36PVJU	FBQ42PVJU
VRV	FXMQ36PVJU	FXMQ48PVJU

