

Project Name: \_\_\_\_\_

Location: \_\_\_\_\_

Engineer: \_\_\_\_\_

Submitted to: \_\_\_\_\_

Submitted by: \_\_\_\_\_

Reference: \_\_\_\_\_

Approval: \_\_\_\_\_

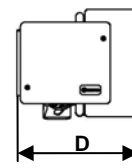
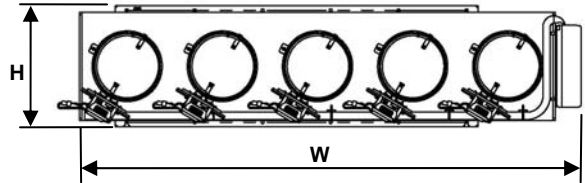
Date: \_\_\_\_\_

Construction: \_\_\_\_\_

Unit #: \_\_\_\_\_

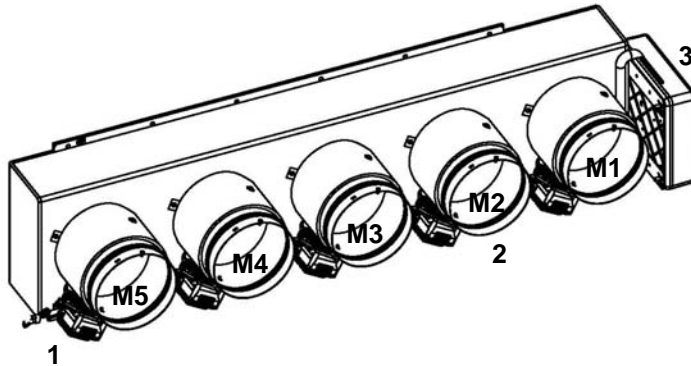
Drawing #: \_\_\_\_\_

Model	DZK030E5
Description	Zoning Box
Compatible Indoor Units	FBQ18PVJU; FBQ24PVJU; FBQ30PVJU FXMQ18PVJU; FXMQ24PVJU; FXMQ30PVJU
Damper Control	Flow Control System by Airzone
Damper Size	6"
Number of Dampers	5
Insulation Value	R4
Weight (Mass)	20.24lb (9.2 kg)
Size	W: 43.58" (1107 mm) H: 10.43" (265 mm) D: 10.43" (265 mm)



### Features / Benefits:

- Allows multiple individually controlled zones with one Daikin Indoor Unit fan coil.
- Individual design for each Daikin unit model.
- Reduced size and weight.
- Fast and simple assembly.
- Manual setting of maximum and minimum flow rate for each damper.



Ref	Function
1	Actuator
2	Damper
3	Main Control Board
M1 ... M5	Dampers number from 1 to 5

Note: Dampers are numbered starting with number 1 next to the Zoning box Control Board.



Project Name: \_\_\_\_\_

Location: \_\_\_\_\_

Engineer: \_\_\_\_\_

Submitted to: \_\_\_\_\_

Submitted by: \_\_\_\_\_

Reference: \_\_\_\_\_

Approval: \_\_\_\_\_

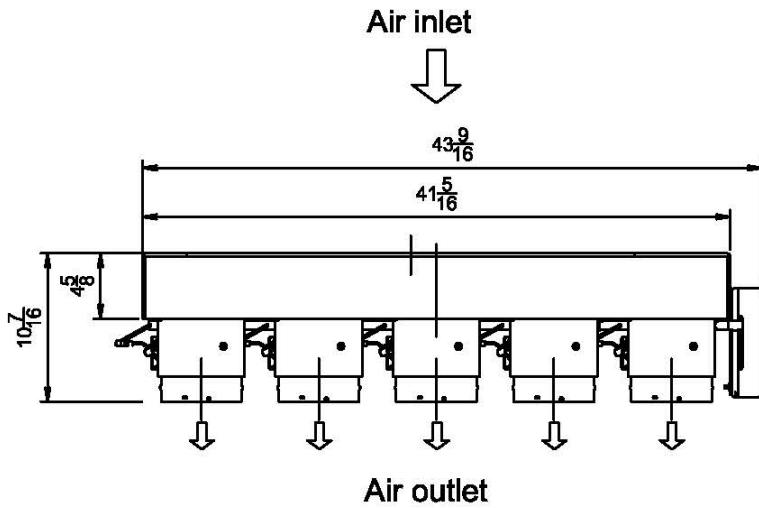
Date: \_\_\_\_\_

Construction: \_\_\_\_\_

Unit #: \_\_\_\_\_

Drawing #: \_\_\_\_\_

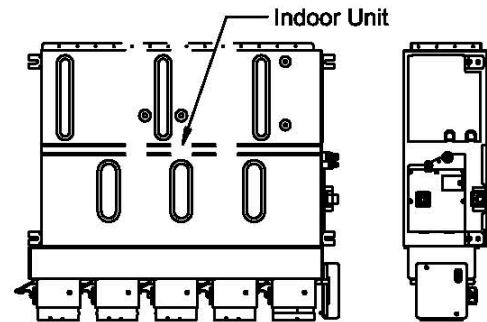
**Dimensional Drawing: (Units inch)**



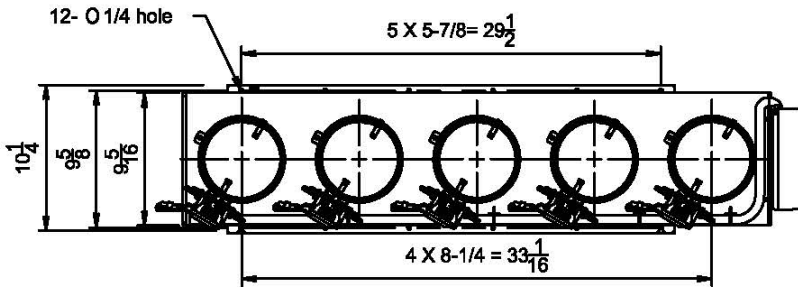
**DZK030E5**

**Unit (in.)**

COMPATIBLE INDOOR UNITS			
SkyAir	FBQ18PVJU	FBQ24PVJU	FBQ30PVJU
VRV	FXMQ18PVJU	FXMQ24PVJU	FXMQ30PVJU



**Front**



**Rear**

