

Job Name:	Location:
Purchaser:	
Engineer:	
Submitted To:	For: <input type="checkbox"/> Reference <input type="checkbox"/> Approval <input type="checkbox"/> Construction
Submitted By:	Date:
Unit Designation: Schedule #:	Model No.:

Capacities:
 Cooling Capacity (@ 95 °F).....132,000 BTU/h
 Heating Capacity (@ 47 °F).....142,000 BTU/h
 Cooling Fuel Gas Consumption (@ 95 °F)...110,000 BTU/h
 Heating Fuel Gas Consumption (@ 47 °F)...101,000 BTU/h

Power Supply:
 Electrical.....Three phase 208 VAC
 Cooling Power Consumption.....3.3 kW
 Heating Power Consumption.....3.3 kW
 Minimum Circuit Ampacity (MCA).....15.9 Amps
 Maximum Over-Current Protection (MOP).....25.0 Amps

Engine:
 Type.....Water-Cooled Straight 4-cycle OHV
 Displacement.....0.952 Liter
 Rated Output.....16.6 Hp
 Stating System.....AC/DC Conversion DC Starter
 Speed Range (min/ max).....1,000 / 2,800 rpm

Compressor:
 Number of Units/ Type.....2 / Scroll
 Cooling Speed Range.....1,700 to 4,080 rpm
 Heating Speed Range.....1,700 to 4,760 rpm

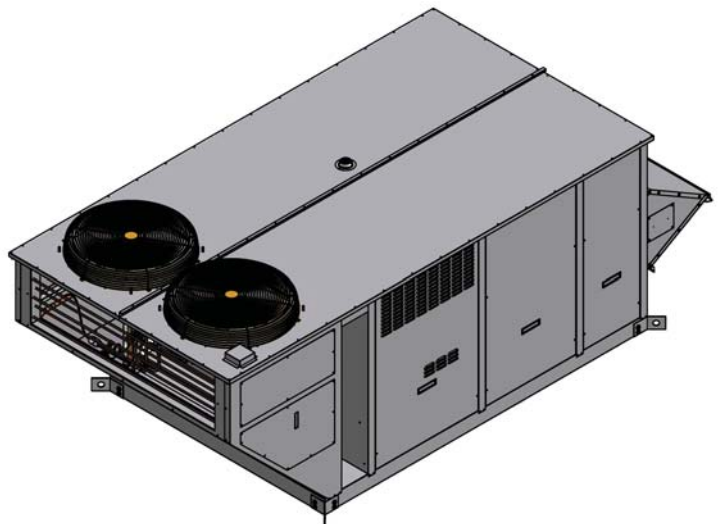
Fan:
 Number of Units/ Type.....2 / Propeller Fan
 Motor Output.....2 x 3/4 Hp

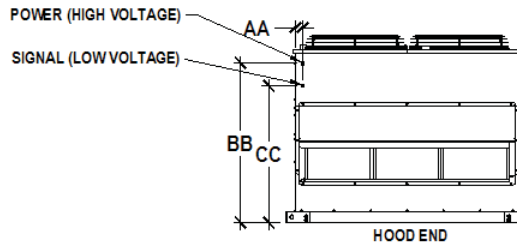
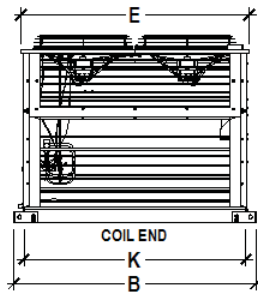
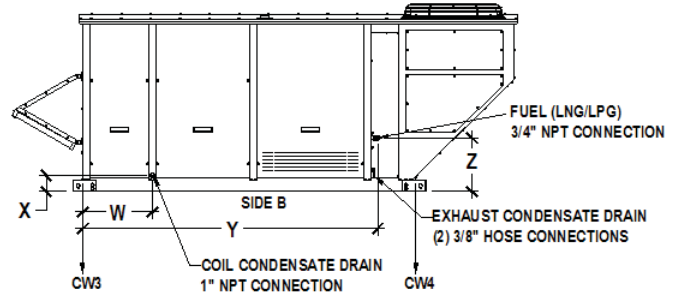
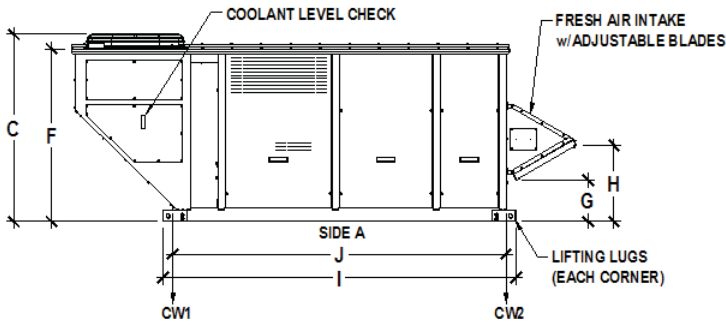
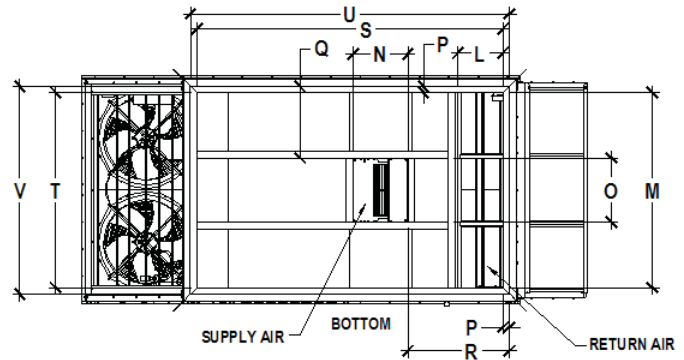
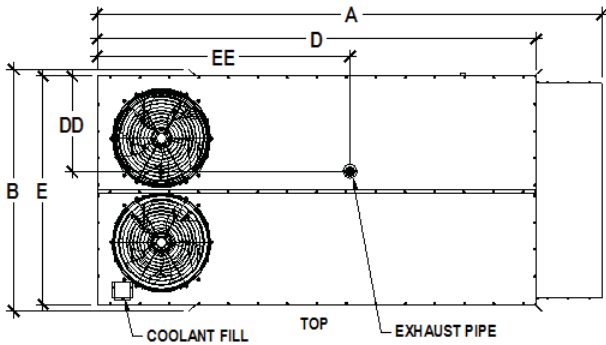
Indoor Blower:
 Type.....Centrifugal
 Power Output.....2 Hp
 Air Flow Rate.....Variable Speed / 4400 cfm
 External Static Pressure.....1.0" WC
 Drive.....Belt

Refrigerant:
 Type.....R-410A

Unit Data:
 Sound Pressure.....~70 dB

- Standard Features:**
- ◆ One Year Parts Warranty
 - ◆ Three Years or 6,000 hours Compressor Warranty
 - ◆ Three Years or 6,000 hours Engine Warranty
 - ◆ VFD Controlled Indoor Fan Motor
 - ◆ Variable Refrigerant
 - ◆ High and Low Pressure Safeties
 - ◆ Hot Gas Bypass
 - ◆ Small Carbon Footprint
 - ◆ Waste Heat Recovery
 - ◆ PLC controlled
 - ◆ Designed for High Ambient Conditions
 - ◆ Quiet Operation
 - ◆ Mounts on Standard Roof Curbs
 - ◆ ETL Approved
 - ◆ EPA Certified





NEXTAIRE ROOFTOP 11 TON 132.6.0.P.HA

DIMENSION	A	B	C	D	E	F	G	H	I	J	K	L	M	N	O	P	Q	R	S	T	U	V	W
inches	145.4	69.7	54	126.4	65.8	49.8	12	22	101.7	96	64	12.9	56.2	15.8	18.6	1.9	20.7	29.3	88.1	56.2	92	60	20.1
mm	3693	1770	1372	3211	1671	1265	305	559	2583	2438	1626	328	1427	401	472	48	526	744	2238	1427	2337	1524	511
DIMENSION	X	Y	Z	AA	BB	CC	DD	EE															
inches	4.7	85	15.5	2	46	39.5	27.5	72.9															
mm	119	2159	394	51	1168	1003	699	1852															

WEIGHT:		CW1	CW2	CW3	CW4
SHIPPING/INSTALL	2210lbs	725	540	360	585

MINIMUM CLEARANCES	
OVERHEAD	72in (1829mm)
FRONT	36in (914mm)
REAR	36in (914mm)
SIDES	36in (914mm)

UNIT BASE FRAME IS DESIGNED TO OVERHANG CURB