

Project Name: _____
 Location: _____
 Engineer: _____
 Submitted to: _____
 Submitted by: _____
 Reference: _____

Approval: _____
 Date: _____
 Construction: _____
 Unit #: _____
 Drawing #: _____

Performance

<i>Indoor Unit Model No:</i>	FXZQ12M7VJU
<i>Cooling Capacity (Btu/hr):</i>	12000
<i>Sensible Capacity (Btu/hr):</i>	8000
<i>Cooling Input Power (kW):</i>	0.08
<i>Heating Capacity (Btu/hr):</i>	14000
<i>Heating Input Power (kW):</i>	0.073
<i>Nominal Ext Static Pressure (inH2O):</i>	0
<i>Max Ext Static Pressure (inH2O):</i>	0

<i>Indoor Unit Type:</i>	2' x 2' 4 Way Cassette
<i>Cooling Nominal Conditions</i>	Indoor: 80°F DB/67°F WB
	Outdoor: 95°F DB/75°F WB
<i>Heating Nominal Conditions</i>	Indoor: 70°F DB/60°F WB
	Outdoor: 47°F DB/43°F WB
<i>Nominal Piping Length</i>	25
<i>Nominal Height Separation</i>	0

Indoor Unit Details

<i>Power Supply (V/Hz/Ph):</i>	208-230/60/1ph
<i>Power Supply Connections:</i>	L1, L2, Ground
<i>Min. Circuit Amps MCA (A):</i>	0.8
<i>Max. Fusible Amps MFA (A):</i>	15
<i>Dimensions (HxWxD):</i>	11 1/4x22 5/8x22 5/8
<i>Panel (HxWxD):</i>	2 5/32x27 9/16x27 9/16
<i>Net Weight (lbs):</i>	42
<i>Weight with Panel (lbs):</i>	48

<i>Airflow Rate (CFM wet coil)</i>	495//353
<i>Moisture Removal (pt/h):</i>	
<i>Gas Pipe Connection (inch):</i>	1/2
<i>Liquid Pipe Connection (inch):</i>	1/4
<i>Condensate Connection (inch):</i>	1-1/32
<i>Sound Pressure Level (dBA):</i>	32
<i>Sound Power Level (dBA):</i>	

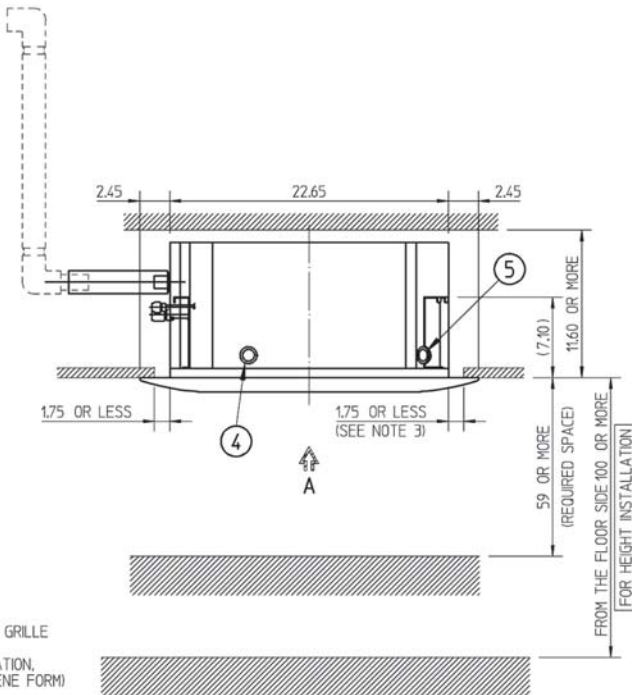
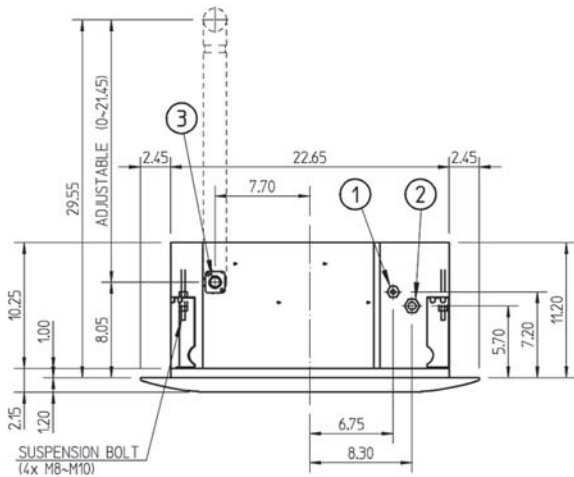
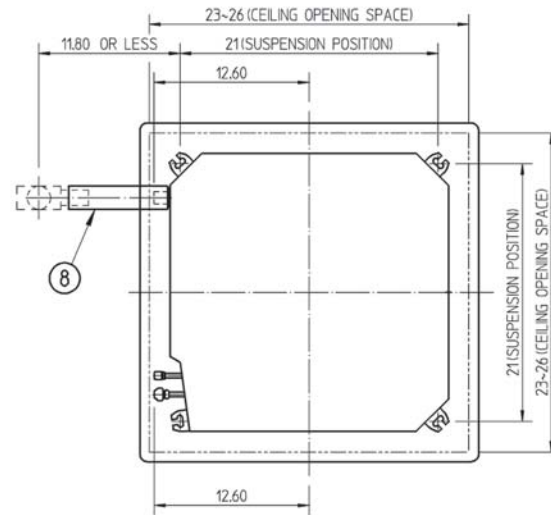
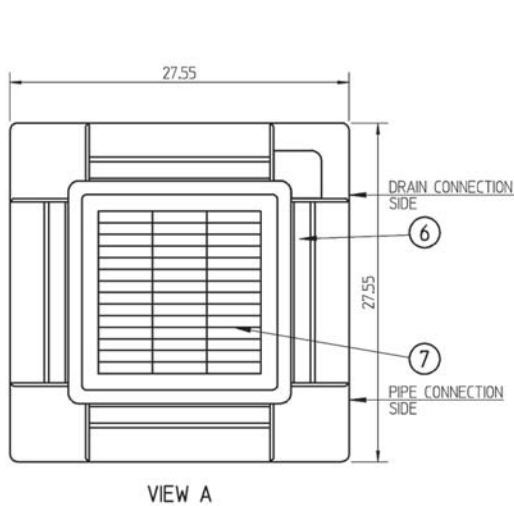
Appearance - Indoor Unit



Project Name: _____
 Location: _____
 Engineer: _____
 Submitted to: _____
 Submitted by: _____
 Reference: _____

Approval: _____
 Date: _____
 Construction: _____
 Unit #: _____
 Drawing #: _____

Dimensional Drawing - Indoor Unit



- NOTES:
1. STICKING LOCATION FOR MANUFACTURERS LABEL
 MANUFACTURERS LABEL FOR INDOOR UNIT: ON THE BELL MOUTH INSIDE SUCTION GRILLE.
 MANUFACTURERS LABEL FOR DECORATION PANEL: ON THE INNER FRAME BEHIND SUCTION GRILLE
 2. WHEN THE TEMPERATURE AND HUMIDITY IN THE CEILING EXCEED 86°F AND RH 80% OR THE FRESH AIR IS INDUCED INTO THE CEILING OR THE UNIT CONTINUES 24 HOUR OPERATION, AN ADDITIONAL INSULATION (THICKNESS 0.39in OR MORE OF GLASSWOOL OR POLYETHYLENE FORM) IS REQUIRED.
 3. THOUGH THE INSTALLATION IS ACCEPTABLE UP TO A MAXIMUM OF 25.98in SQUARE CEILING OPENING, KEEP THE CLEARANCE OF 1.77in OR LESS BETWEEN THE MAIN UNIT AND THE CEILING OPENING SO THAT THE PANEL OVERLAP ALLOWANCE CAN BE ENSURED.
 4. ALL MEASUREMENTS ARE IN INCH

DECORATION PANEL
 BYFG608W1U | WHITE RAL 9010

Project Name: _____
Location: _____
Engineer: _____
Submitted to: _____
Submitted by: _____
Reference: _____

Approval: _____
Date: _____
Construction: _____
Unit #: _____
Drawing #: _____

Notes

Std U.S. Warranty: 6yrs Compressor, 1yrs Parts, 1yr Limited Labor