

Project Name: _____
 Location: _____
 Engineer: _____
 Submitted to: _____
 Submitted by: _____
 Reference: _____

Approval: _____
 Date: _____
 Construction: _____
 Unit #: _____
 Drawing #: _____

Performance

Indoor Unit Model No: FXTQ36PAVJU
Cooling Capacity (Btu/hr): 36000
Sensible Capacity (Btu/hr): 23370
Cooling Input Power (kW): 0.35
Heating Capacity (Btu/hr): 40000
Heating Input Power (kW): 0.35
Nominal Ext Static Pressure (inH2O): 0.3
Max Ext Static Pressure (inH2O): 0.5

Indoor Unit Type: Vertical Air Handler (and Horizontal R)
Cooling Nominal Conditions Indoor: 80°F DB/67°F WB
 Outdoor: 95°F DB/75°F WB
Heating Nominal Conditions Indoor: 70°F DB/60°F WB
 Outdoor: 47°F DB/43°F WB
Nominal Piping Length 25
Nominal Height Separation 0

Indoor Unit Details

Power Supply (V/Hz/Ph): 208-230/60/1ph
Power Supply Connections: L1, L2, Ground
Min. Circuit Amps MCA (A): 3.3
Max. Fusible Amps MFA (A): 15
Dimensions (HxWxD): 53-1/4x22x24
Panel (HxWxD): N/A
Net Weight (lbs): 145
Weight with Panel (lbs): _____

Airflow Rate (CFM wet coil) 1200//840
Moisture Removal (pt/h): _____
Gas Pipe Connection (inch): 5/8
Liquid Pipe Connection (inch): 3/8
Condensate Connection (inch): 3/4 FPT
Sound Pressure Level (dBA): _____
Sound Power Level (dBA): _____

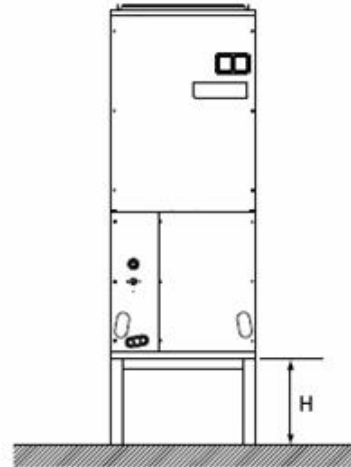
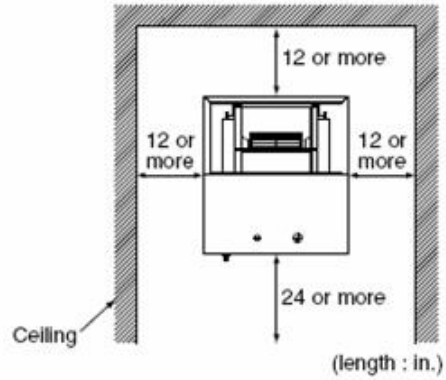
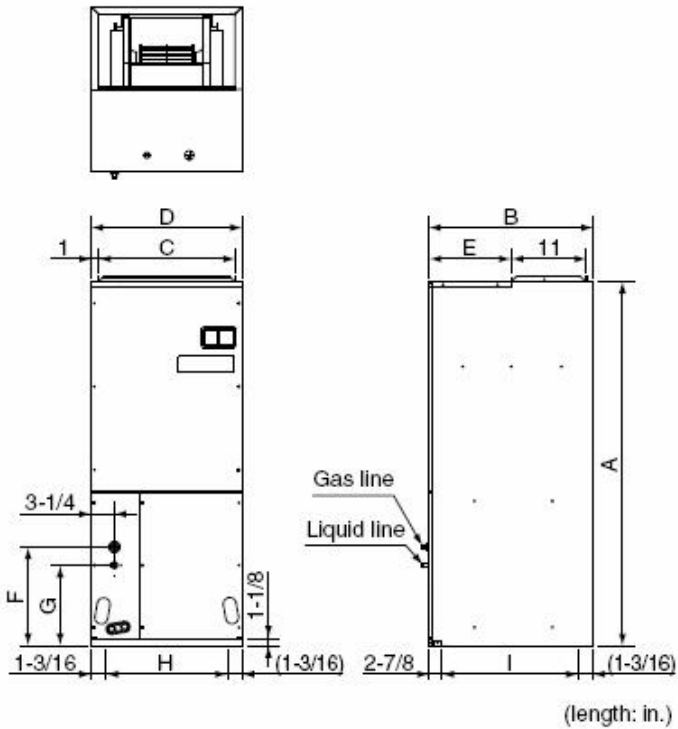
Appearance - Indoor Unit



Project Name: _____
 Location: _____
 Engineer: _____
 Submitted to: _____
 Submitted by: _____
 Reference: _____

Approval: _____
 Date: _____
 Construction: _____
 Unit #: _____
 Drawing #: _____

Dimensional Drawing - Indoor Unit



Model	A	B	C	D	E	F	G	H	I
12 · 18 type	46-3/4	22	17-1/2	19-1/2	10	14-1/2	11-15/16	17-1/8	17-15/16
24 · 30 · 36 · 42 · 48 · 54 type	53-3/4	24	20	22	12	19-5/8	11-15/16	19-5/8	19-15/16

- Ensure sufficient space for the bottom of the product (H dimensions) so that a downward slope of 1/100 can be maintained for drain piping, as described for the intake duct installation and in "6. DRAIN PIPING WORK".

Project Name: _____
Location: _____
Engineer: _____
Submitted to: _____
Submitted by: _____
Reference: _____

Approval: _____
Date: _____
Construction: _____
Unit #: _____
Drawing #: _____

Notes

Requires KRCS01-4B (or BRC1E71), Limited to 100% connection index on VRVIII-S, VRV-WIII and VRV-III-C, Std U.S. Warranty: 6yrs Compressor, 1yrs Parts, 1yr Limited Labor