

Project Name: \_\_\_\_\_  
 Location: \_\_\_\_\_  
 Engineer: \_\_\_\_\_  
 Submitted to: \_\_\_\_\_  
 Submitted by: \_\_\_\_\_  
 Reference: \_\_\_\_\_

Approval: \_\_\_\_\_  
 Date: \_\_\_\_\_  
 Construction: \_\_\_\_\_  
 Unit #: \_\_\_\_\_  
 Drawing #: \_\_\_\_\_

### **Performance**

|                                      |            |
|--------------------------------------|------------|
| Indoor Unit Model No:                | FXMQ07PVJU |
| Cooling Capacity (Btu/hr):           | 7500       |
| Sensible Capacity (Btu/hr):          | 6483       |
| Cooling Input Power (kW):            | 0.08       |
| Heating Capacity (Btu/hr):           | 8500       |
| Heating Input Power (kW):            | 0.069      |
| Nominal Ext Static Pressure (inH2O): | 0.12       |
| Max Ext Static Pressure (inH2O):     | 0.4        |

|                            |                                   |
|----------------------------|-----------------------------------|
| Indoor Unit Type:          | Duct Mounted Standard Static (DC) |
| Cooling Nominal Conditions | Indoor: 80°F DB/67°F WB           |
|                            | Outdoor: 95°F DB/75°F WB          |
| Heating Nominal Conditions | Indoor: 70°F DB/60°F WB           |
|                            | Outdoor: 47°F DB/43°F WB          |
| Nominal Piping Length      | 25                                |
| Nominal Height Separation  | 0                                 |

### **Indoor Unit Details**

|                            |                           |
|----------------------------|---------------------------|
| Power Supply (V/Hz/Ph):    | 208-230/60/1ph            |
| Power Supply Connections:  | L1, L2, Ground            |
| Min. Circuit Amps MCA (A): | 0.6                       |
| Max. Fusible Amps MFA (A): | 15                        |
| Dimensions (HxWxD):        | 11-13/16x21-21/32x27-9/16 |
| Panel (HxWxD):             | N/A                       |
| Net Weight (lbs):          | 55                        |
| Weight with Panel (lbs):   |                           |

|                                |          |
|--------------------------------|----------|
| Airflow Rate (CFM wet coil)    | 317//230 |
| Moisture Removal (pt/h):       |          |
| Gas Pipe Connection (inch):    | 1/2      |
| Liquid Pipe Connection (inch): | 1/4      |
| Condensate Connection (inch):  | 1-1/4    |
| Sound Pressure Level (dBA):    | 33       |
| Sound Power Level (dBA):       |          |

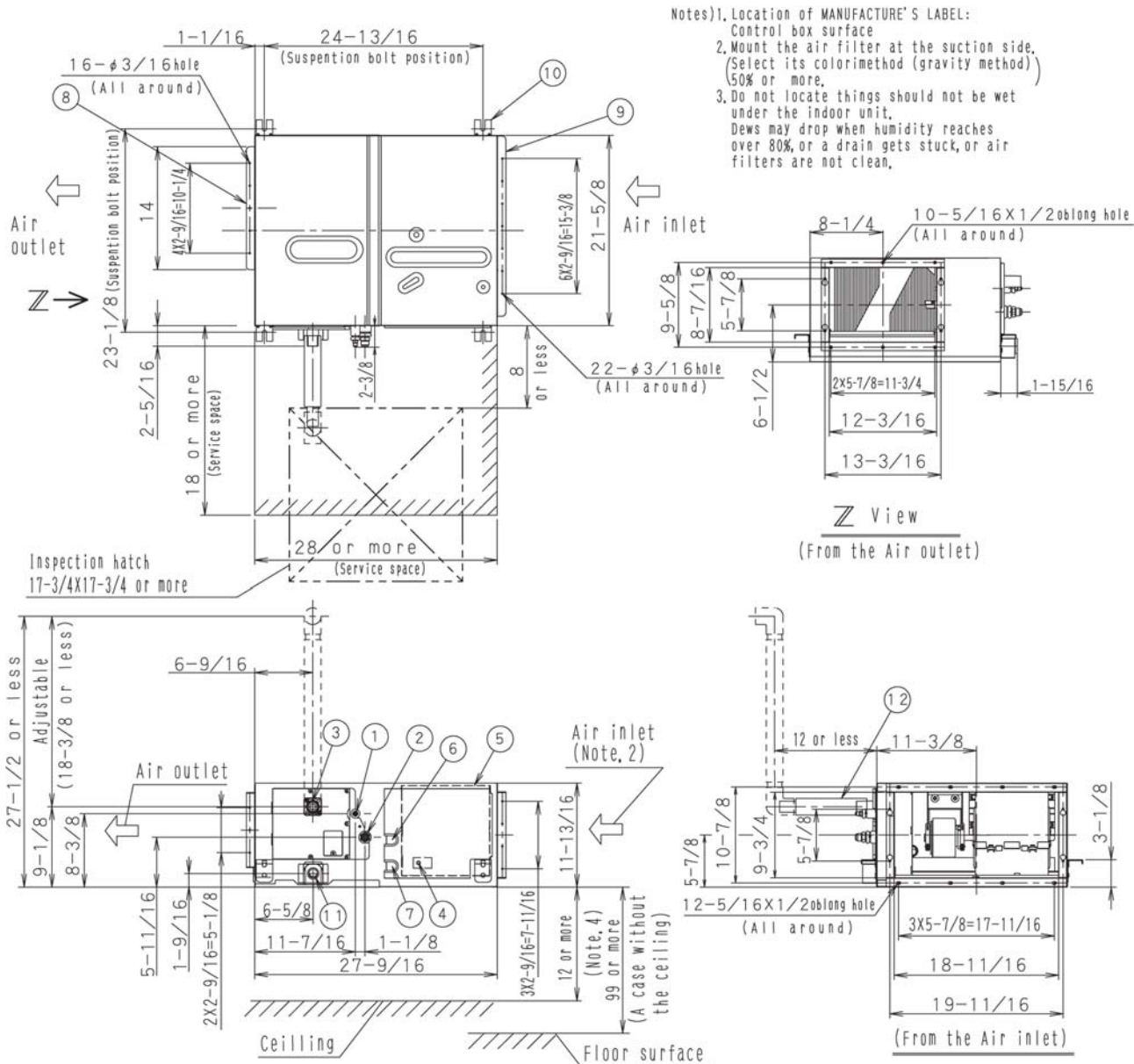
### **Appearance - Indoor Unit**



Project Name: \_\_\_\_\_  
 Location: \_\_\_\_\_  
 Engineer: \_\_\_\_\_  
 Submitted to: \_\_\_\_\_  
 Submitted by: \_\_\_\_\_  
 Reference: \_\_\_\_\_

Approval: \_\_\_\_\_  
 Date: \_\_\_\_\_  
 Construction: \_\_\_\_\_  
 Unit #: \_\_\_\_\_  
 Drawing #: \_\_\_\_\_

## Dimensional Drawing - Indoor Unit



Project Name: \_\_\_\_\_  
Location: \_\_\_\_\_  
Engineer: \_\_\_\_\_  
Submitted to: \_\_\_\_\_  
Submitted by: \_\_\_\_\_  
Reference: \_\_\_\_\_

Approval: \_\_\_\_\_  
Date: \_\_\_\_\_  
Construction: \_\_\_\_\_  
Unit #: \_\_\_\_\_  
Drawing #: \_\_\_\_\_

**Notes**

Std U.S. Warranty: 6yrs Compressor, 1yrs Parts, 1yr Limited Labor