

Project Name: _____
 Location: _____
 Engineer: _____
 Submitted to: _____
 Submitted by: _____
 Reference: _____

Approval: _____
 Date: _____
 Construction: _____
 Unit #: _____
 Drawing #: _____

Performance

Indoor Unit Model No: FXFQ36PVJU
Cooling Capacity (Btu/hr): 36000
Sensible Capacity (Btu/hr): 28600
Cooling Input Power (kW): 0.21
Heating Capacity (Btu/hr): 40000
Heating Input Power (kW): 0.2
Nominal Ext Static Pressure (inH2O): 0
Max Ext Static Pressure (inH2O): 0

Indoor Unit Type: Round Flow Cassette
Cooling Nominal Conditions Indoor: 80°F DB/67°F WB
 Outdoor: 95°F DB
Heating Nominal Conditions Indoor: 70°F DB
 Outdoor: 47°F DB/43°F WB
Nominal Piping Length 25
Nominal Height Separation 0

Indoor Unit Details

Power Supply (V/Hz/Ph): 208-230/60/1ph
Power Supply Connections: L1, L2, Ground
Min. Circuit Amps MCA (A): 1.4
Max. Fusible Amps MFA (A): 15
Dimensions (HxWxD): 11-5/16x33-1/16x33-1/16
Panel (HxWxD): 2x37-3/8x37-3/8
Net Weight (lbs): 55
Weight with Panel (lbs): 67.2

Airflow Rate (CFM wet coil) 1180/910/700
Moisture Removal (pt/h): _____
Gas Pipe Connection (inch): 5/8
Liquid Pipe Connection (inch): 3/8
Condensate Connection (inch): 1-1/4
Sound Pressure Level (dBA): 44
Sound Power Level (dBA): _____

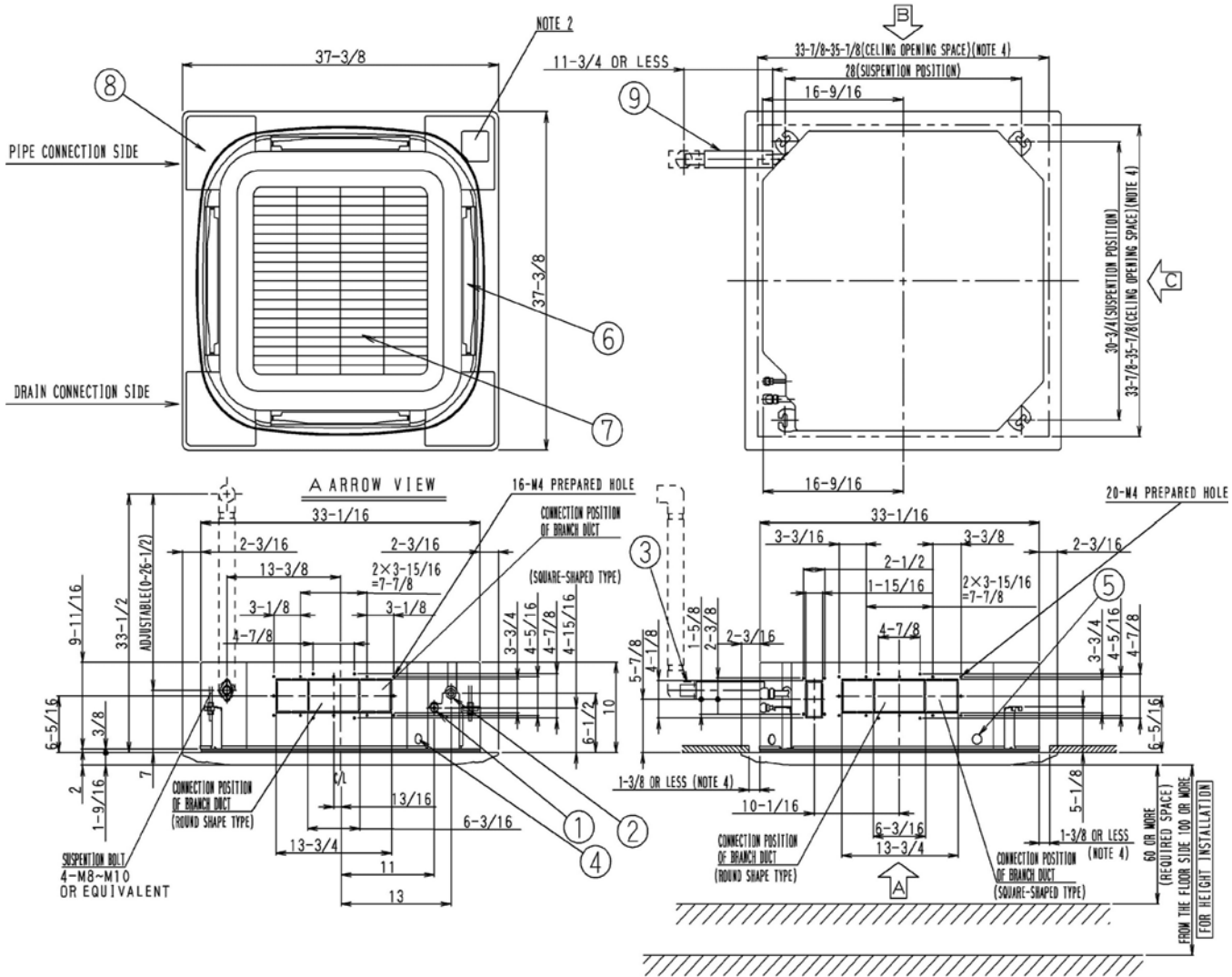
Appearance - Indoor Unit



Project Name: _____
 Location: _____
 Engineer: _____
 Submitted to: _____
 Submitted by: _____
 Reference: _____

Approval: _____
 Date: _____
 Construction: _____
 Unit #: _____
 Drawing #: _____

Dimensional Drawing - Indoor Unit



Project Name: _____
Location: _____
Engineer: _____
Submitted to: _____
Submitted by: _____
Reference: _____

Approval: _____
Date: _____
Construction: _____
Unit #: _____
Drawing #: _____

Notes

Std U.S. Warranty: 6yrs Compressor, 1yrs Parts, 1yr Limited Labor