

Project Name: _____
 Location: _____
 Engineer: _____
 Submitted to: _____
 Submitted by: _____
 Reference: _____

Approval: _____
 Date: _____
 Construction: _____
 Unit #: _____
 Drawing #: _____

Performance

| | |
|--------------------------------------------------------|------------|
| <i>Indoor Unit Model No:</i> | FXFQ24PVJU |
| <i>Cooling Capacity (Btu/hr):</i> | 24000 |
| <i>Sensible Capacity (Btu/hr):</i> | 18900 |
| <i>Cooling Input Power (kW):</i> | 0.07 |
| <i>Heating Capacity (Btu/hr):</i> | 27000 |
| <i>Heating Input Power (kW):</i> | 0.06 |
| <i>Nominal Ext Static Pressure (inH₂O):</i> | 0 |
| <i>Max Ext Static Pressure (inH₂O):</i> | 0 |

| | |
|-----------------------------------|---------------------------------------------|
| <i>Indoor Unit Type:</i> | Round Flow Cassette |
| <i>Cooling Nominal Conditions</i> | Indoor: 80°F DB/67°F WB Outdoor: 95°F DB |
| <i>Heating Nominal Conditions</i> | Indoor: 70°F DB Outdoor: 47°F DB/43°F WB |
| <i>Nominal Piping Length</i> | 25 |
| <i>Nominal Height Separation</i> | 0 |

Indoor Unit Details

| | |
|-----------------------------------|-------------------------|
| <i>Power Supply (V/Hz/Ph):</i> | 208-230/60/1ph |
| <i>Power Supply Connections:</i> | L1, L2, Ground |
| <i>Min. Circuit Amps MCA (A):</i> | 0.5 |
| <i>Max. Fusible Amps MFA (A):</i> | 15 |
| <i>Dimensions (HxWxD):</i> | 9-11/16x33-1/16x33-1/16 |
| <i>Panel (HxWxD):</i> | 2x37-3/8x37-3/8 |
| <i>Net Weight (lbs):</i> | 48.5 |
| <i>Weight with Panel (lbs):</i> | 60.7 |

| | |
|---------------------------------------|-------------|
| <i>Airflow Rate (CFM wet coil)</i> | 780/620/470 |
| <i>Moisture Removal (pt/h):</i> | |
| <i>Gas Pipe Connection (inch):</i> | 5/8 |
| <i>Liquid Pipe Connection (inch):</i> | 3/8 |
| <i>Condensate Connection (inch):</i> | 1-1/4 |
| <i>Sound Pressure Level (dBA):</i> | 36 |
| <i>Sound Power Level (dBA):</i> | |

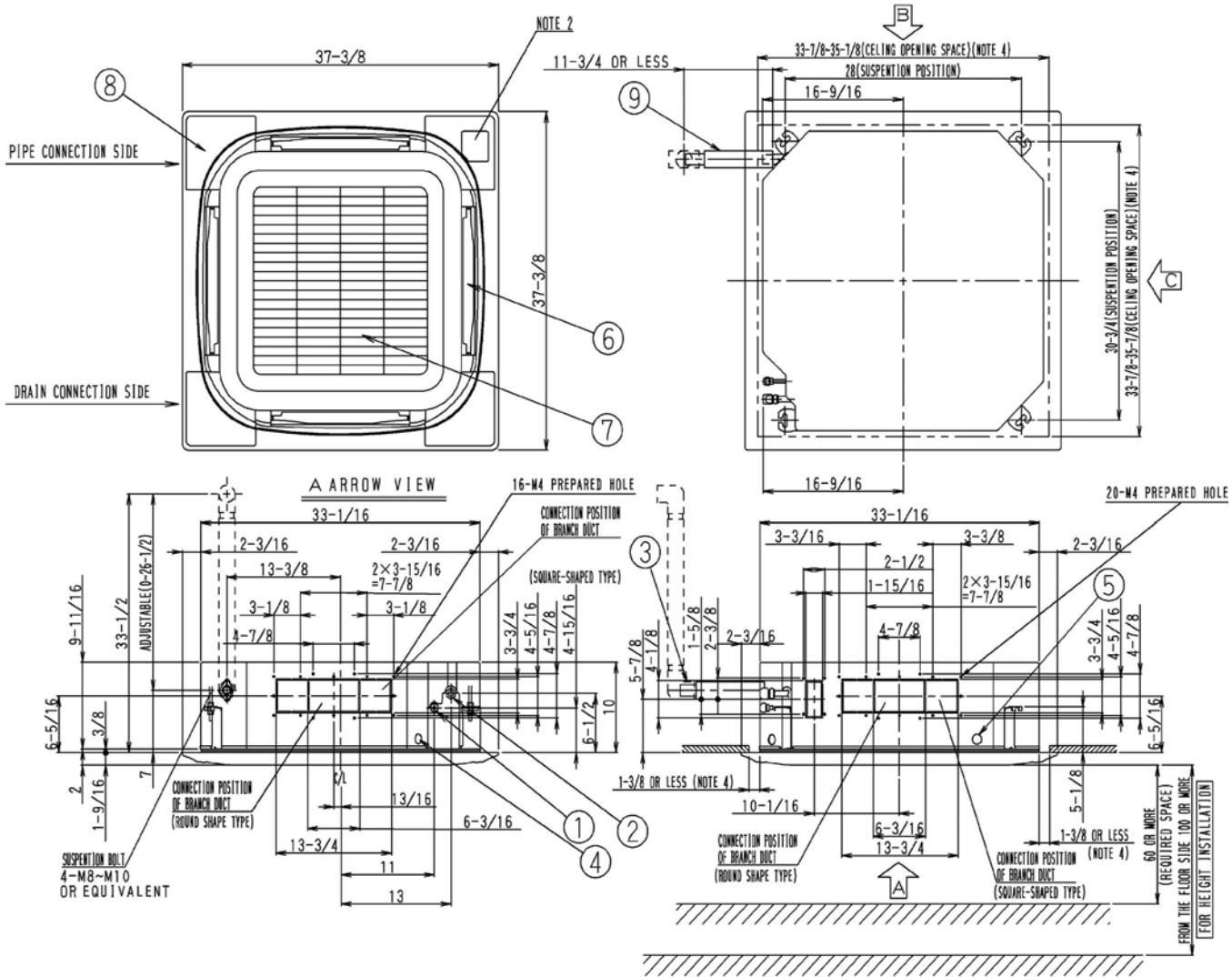
Appearance - Indoor Unit



Project Name: _____
 Location: _____
 Engineer: _____
 Submitted to: _____
 Submitted by: _____
 Reference: _____

Approval: _____
 Date: _____
 Construction: _____
 Unit #: _____
 Drawing #: _____

Dimensional Drawing - Indoor Unit



Project Name: _____
Location: _____
Engineer: _____
Submitted to: _____
Submitted by: _____
Reference: _____

Approval: _____
Date: _____
Construction: _____
Unit #: _____
Drawing #: _____

Notes

Std U.S. Warranty: 6yrs Compressor, 1yrs Parts, 1yr Limited Labor