

Project Name: \_\_\_\_\_  
 Location: \_\_\_\_\_  
 Engineer: \_\_\_\_\_  
 Submitted to: \_\_\_\_\_  
 Submitted by: \_\_\_\_\_  
 Reference: \_\_\_\_\_

Approval: \_\_\_\_\_  
 Date: \_\_\_\_\_  
 Construction: \_\_\_\_\_  
 Unit #: \_\_\_\_\_  
 Drawing #: \_\_\_\_\_

### **Performance**

*Indoor Unit Model No:* FXAQ18MVJU  
*Cooling Capacity (Btu/hr):* 18000  
*Sensible Capacity (Btu/hr):* 13700  
*Cooling Input Power (kW):* 0.027  
*Heating Capacity (Btu/hr):* 20000  
*Heating Input Power (kW):* 0.032  
*Nominal Ext Static Pressure (inH2O):* 0  
*Max Ext Static Pressure (inH2O):* 0

*Indoor Unit Type:* Wall Mounted  
*Cooling Nominal Conditions* Indoor: 80°F DB/67°F WB  
 Outdoor: 95°F DB/75°F WB  
*Heating Nominal Conditions* Indoor: 70°F DB/60°F WB  
 Outdoor: 47°F DB/43°F WB  
*Nominal Piping Length* 25  
*Nominal Height Separation* 0

### **Indoor Unit Details**

*Power Supply (V/Hz/Ph):* 208-230/60/1ph  
*Power Supply Connections:* L1, L2, Ground  
*Min. Circuit Amps MCA (A):* 0.4  
*Max. Fusible Amps MFA (A):* 15  
*Dimensions (HxWxD):* 11-3/8x41-3/8x9  
*Panel (HxWxD):* N/A  
*Net Weight (lbs):* 31  
*Weight with Panel (lbs):* \_\_\_\_\_

*Airflow Rate (CFM wet coil)* 500//400  
*Moisture Removal (pt/h):* \_\_\_\_\_  
*Gas Pipe Connection (inch):* 1/2  
*Liquid Pipe Connection (inch):* 1/4  
*Condensate Connection (inch):* 11/16  
*Sound Pressure Level (dBA):* 43  
*Sound Power Level (dBA):* \_\_\_\_\_

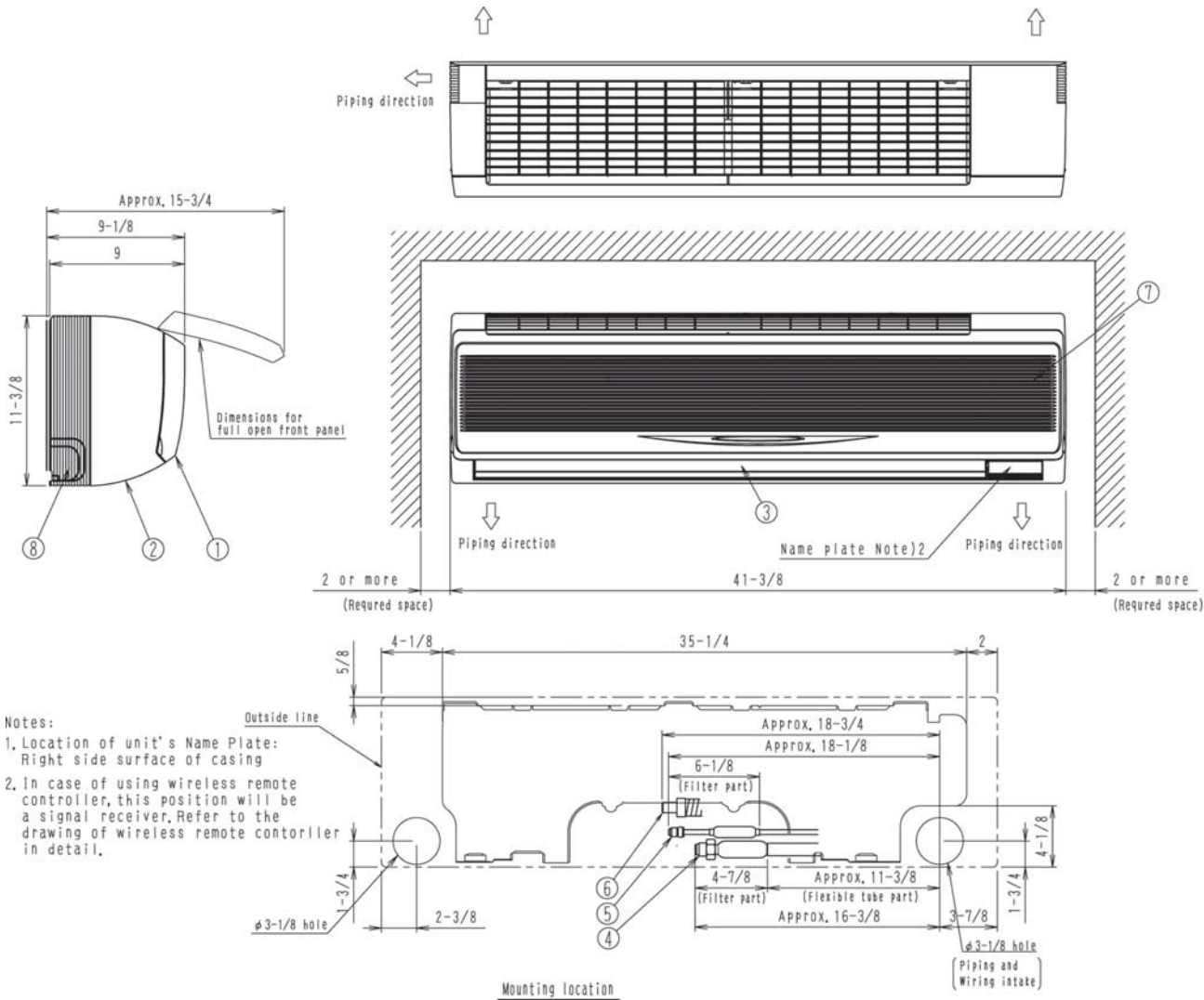
### **Appearance - Indoor Unit**



Project Name: \_\_\_\_\_  
 Location: \_\_\_\_\_  
 Engineer: \_\_\_\_\_  
 Submitted to: \_\_\_\_\_  
 Submitted by: \_\_\_\_\_  
 Reference: \_\_\_\_\_

Approval: \_\_\_\_\_  
 Date: \_\_\_\_\_  
 Construction: \_\_\_\_\_  
 Unit #: \_\_\_\_\_  
 Drawing #: \_\_\_\_\_

**Dimensional Drawing - Indoor Unit**



Project Name: \_\_\_\_\_  
Location: \_\_\_\_\_  
Engineer: \_\_\_\_\_  
Submitted to: \_\_\_\_\_  
Submitted by: \_\_\_\_\_  
Reference: \_\_\_\_\_

Approval: \_\_\_\_\_  
Date: \_\_\_\_\_  
Construction: \_\_\_\_\_  
Unit #: \_\_\_\_\_  
Drawing #: \_\_\_\_\_

## Notes

Std U.S. Warranty: 6yrs Compressor, 1yrs Parts, 1yr Limited Labor