

CAUTION

- The indoor and outdoor units and the power supply wiring and remote controller cord must be installed at least 40in. away from any televisions or radios. This is to prevent interference with picture and sound reception. (Interference may occur even at 40in. away depending on the reception quality.)
- If installing the wireless kit, the distance of the signal sent from the remote controller might be shorter if there are fluorescent lights which are electrically started (such as with inverters, rapid starters, etc.) in the room. The indoor unit should be installed as far away from fluorescent lights as possible.

(2) Ceiling height

This product can be installed in ceilings up to 11-1/2ft. high (13-3/4ft. high for the 36 and 48). If the ceiling height is 8-3/4ft. (10-1/2ft. for the 36 and 48) or more, field settings will have to be made with the remote controller. See "11. FIELD SETTING" for details.

(3) Air direction

The air direction shown in Fig. 3 is an example. Select the appropriate number of directions according to the shape of the room and the location of the unit. (Field settings have to be made using the remote controller and the outlet vents have to be shut off if two, three, or four (corner shut-off) directions are selected. See the shut-off materials (sold separately) installation manual for details.)

(4) Use suspension bolts for installation. Check if the location for the installation is strong enough to support the weight of the unit, reinforce it if necessary, and install using suspension bolts. (The spacing of the installation is shown on the "paper pattern for installation (5)".)

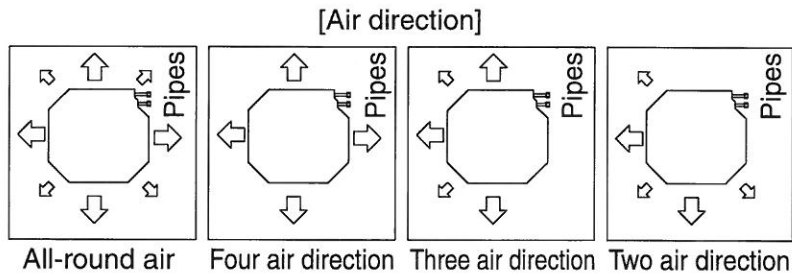


Fig. 3

4. PREPARATIONS BEFORE INSTALLATION

(1) Relation of ceiling opening to unit and suspension bolt position.

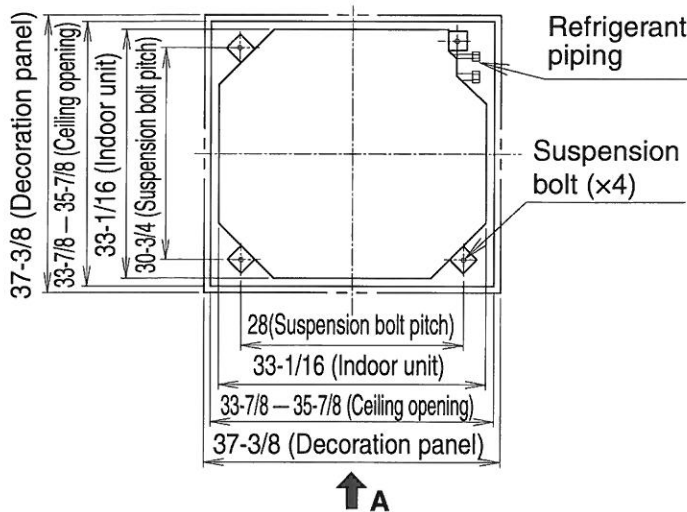


Fig. 4

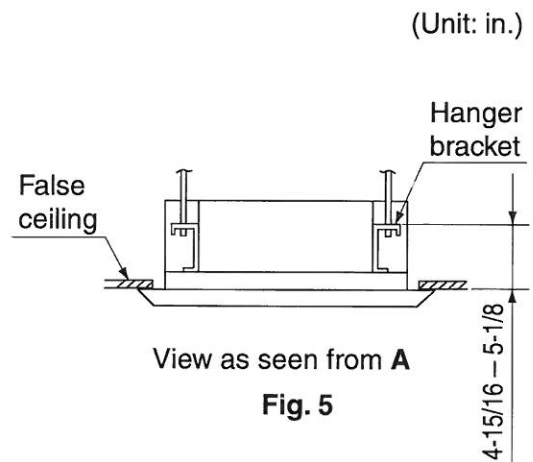


Fig. 5